

BW Weight Indicator

General Specifications

- Display 52mm digit LCD display, with white LED backlight
- Keyboard 7 keys (Mechanical switch)
- Housing ABS plastic
- Max. Divisions 6,000e; 30,000d
- Load cell excitation voltage 5V/150mA
- ADC update $\leq 1/10$ second
- Operating Temp. $-10^{\circ}\text{C} \sim +40^{\circ}\text{C}$
- Power AC adapter (12V/500mA), rechargeable battery (6V/4Ah)
- Gross weight 1.6kg
- Packing Master carton holds 4, dimension 0.129 m³



- Easy to use, front panel configuration
- Applications: 1. Accumulation 2. Check weighing 3. Net/gross shift 4. Weighing unit conversion 5. Weight hold function (non OIML version only) 6. Animal weighing
- OIML approval from DELTA (approval no.DK0199.165)
- 1.2" LED display available (BW-E)
- Optional RS-232 interface
- Optional analog output (0-10V/4-20mA)
- Optional setpoint output (HI/OK/LOW/BEEP)
- Optional blue tooth



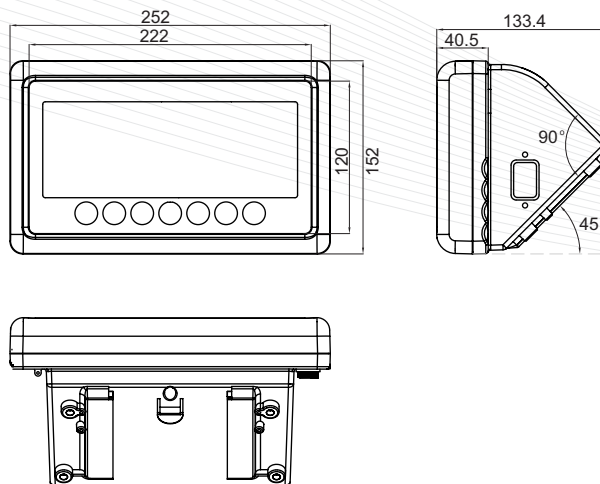
BW Weight Indicator

Model Name	Capacity	Readability	Division	Approx. weight	Approval
BW	X	X	30,000d	1.6kg	CE
BW-M	X	X	6,000e	1.6kg	CE, OIML
BW-E	X	X	30,000d	1.5kg	CE

Options



Dimensions(mm)



Print formats

